

# APSm

## Self-priming Peripheral Pump



### Application

- Can be used to transfer clean water or other liquids similar to water in physical and chemical properties
- Suitable for small living water supply, automatic water sprinkler system, small air conditioner system or supporting equipment etc.

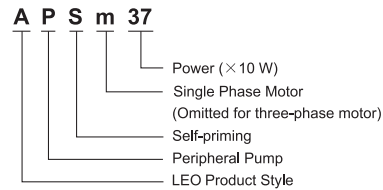
### Pump

- Special anti-rust treatment for cast iron pump body and support
- Anti-block system for impeller
- Brass impeller
- AISI 304 shaft
- Max. liquid temperature: +40°C
- Max. suction: +9 m
- Self-priming

### Motor

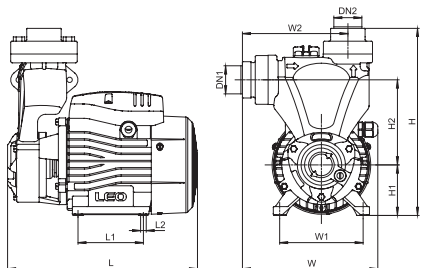
- C&U bearing
- Motor with copper winding
- Built-in thermal protector for single phase motor
- Insulation class: F
- Protection class: IPX4
- Max. ambient temperature: +40°C

### Identification Codes



### Technical Data

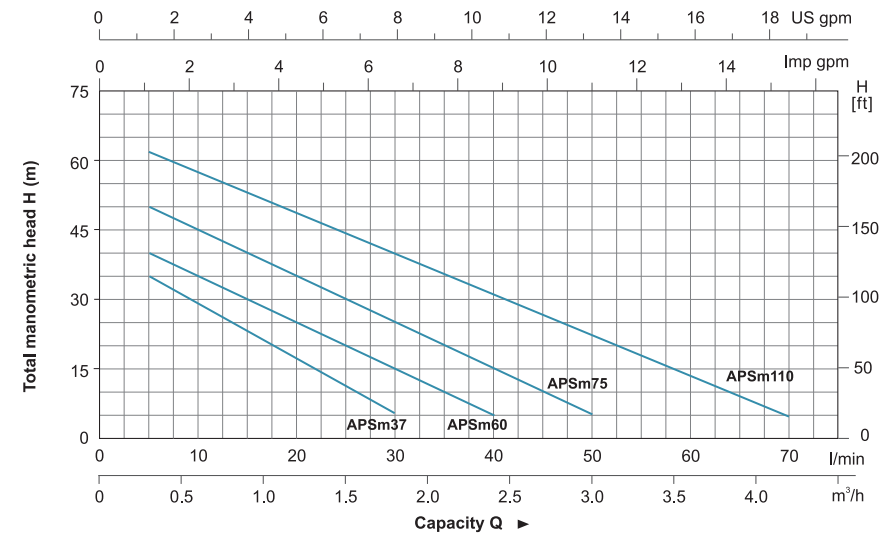
| MODEL        |             | POWER |     | Q (m³/h) |    | Q (l/min) |     |     |     |     |     |     |     |     |     |     |     |     |
|--------------|-------------|-------|-----|----------|----|-----------|-----|-----|-----|-----|-----|-----|-----|-----|-----|-----|-----|-----|
| Single Phase | Three Phase | kW    | HP  | H (m)    |    | 0         | 0.3 | 0.6 | 0.9 | 1.2 | 1.5 | 1.8 | 2.1 | 2.4 | 3.0 | 3.3 | 3.6 | 4.2 |
| APSm37       | —           | 0.37  | 0.5 | 40       | 35 | 0         | 5   | 10  | 15  | 20  | 25  | 30  | 35  | 40  | 50  | 55  | 60  | 70  |
| APSm60       | —           | 0.6   | 0.8 | 45       | 40 | 28        | 22  | 18  | 12  | 8   | 5   | -   | -   | -   | -   | -   | -   | -   |
| APSm75       | —           | 0.75  | 1.0 | 55       | 50 | 42        | 38  | 32  | 28  | 22  | 18  | 12  | 5   | -   | -   | -   | -   | -   |
| APSm110      | APS110      | 1.1   | 1.5 | 65       | 60 | 55        | 50  | 45  | 40  | 35  | 30  | 25  | 20  | 15  | 10  | 5   | -   | -   |



### Dimension

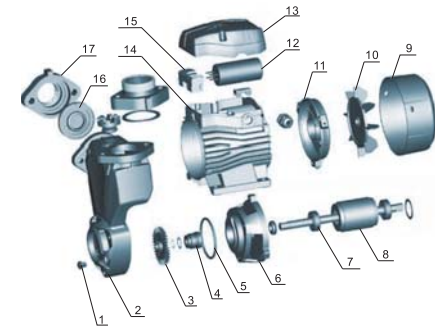
| Model   | DN1    | DN2    | L (mm) | W (mm) | H (mm) | L <sub>1</sub> (mm) | W <sub>1</sub> (mm) | W <sub>2</sub> (mm) | H <sub>1</sub> (mm) | H <sub>2</sub> (mm) | L <sub>2</sub> (mm) |
|---------|--------|--------|--------|--------|--------|---------------------|---------------------|---------------------|---------------------|---------------------|---------------------|
| APSm37  |        |        | 239    | 170    | 234    | 80                  | 100                 | 128                 | 63                  | 106                 | 8.5                 |
| APSm60  | 1"     | 1"     | 260    | 180    | 251    | 90                  | 112                 | 132                 | 71                  | 120                 | 8.5                 |
| APSm75  |        |        | 270    | 180    | 260    | 90                  | 112                 | 142                 | 71                  | 130                 | 8.5                 |
| APSm110 | 1 1/2" | 1 1/2" | 310    | 200    | 284    | 100                 | 125                 | 149                 | 86                  | 138                 | 9                   |

### Hydraulic Performance Curves



### Materials Table

| No. | Part             | Material       |
|-----|------------------|----------------|
| 1   | Screw            | Steel          |
| 2   | Pump body        | HT200          |
| 3   | Impeller         | Brass          |
| 4   | Mechanical seal  | Carbon/Ceramic |
| 5   | O-ring           | NBR            |
| 6   | Support          | HT200          |
| 7   | Bearing          |                |
| 8   | Rotor            |                |
| 9   | Fan cover        | PP             |
| 10  | Fan              | PP             |
| 11  | Rear cover       | ZL102          |
| 12  | Capacitor        |                |
| 13  | Terminal box     | ABS            |
| 14  | Stator           |                |
| 15  | Terminal board   | PC             |
| 16  | Non-return valve | NBR            |
| 17  | Connector        | HT200          |



### Package Information

| Model   | GW (Kgs) | L (mm) | W (mm) | H (mm) | Quantity (PCS/20 TEU) |
|---------|----------|--------|--------|--------|-----------------------|
| APSm37  | 7.2      | 275    | 200    | 265    | 2040                  |
| APSm60  | 10.8     | 290    | 205    | 285    | 1736                  |
| APSm75  | 12.3     | 305    | 214    | 290    | 1365                  |
| APSm110 | 17.5     | 345    | 232    | 320    | 998                   |

